

25 ST MARY ST

TORONTO, ONTARIO

ISSUED FOR SPA

DRAWING STATUS

NOT FOR CONSTRUCTION

NO.	REVISION	DATE
3	RE-ISSUED FOR SPA	21 Nov. 2022
2	RE-ISSUED FOR SPA	30 Sept. 2022
1	ISSUED FOR SPA	7 June. 2021
NO.	ISSUED	DATE
		DD/MM/YY

CONTRACTOR MUST VERIFY ALL DIMENSIONS ON SITE. DO NOT SCALE DRAWING. ALL DRAWINGS, SPECIFICATIONS AND RELATED DOCUMENTS ARE THE PROPERTY OF THE CONSULTANT AND MUST BE RETURNED UPON REQUEST. REPRODUCTION OF DRAWINGS, SPECIFICATIONS AND RELATED DOCUMENTS IN PART OR IN WHOLE WITHOUT WRITTEN CONSENT FROM CONSULTANT IS NOT PERMITTED. THIS DRAWING IS NOT TO BE USED FOR CONSTRUCTION UNLESS STAMPED BY ENGINEER.

STAMP

PROJECT

Mulvey & Banani
90 SHEPPARD AVE. EAST
Toronto, Ontario

DRAWING TITLE

TITLE PAGE

DRAWN BY:
G.W.

CHECKED BY:
A.M./P.B.

SCALE:
1:200

DATE:
Nov 17, 2022

PROJECT NO.
212015

DRAWING NO.
LD-001

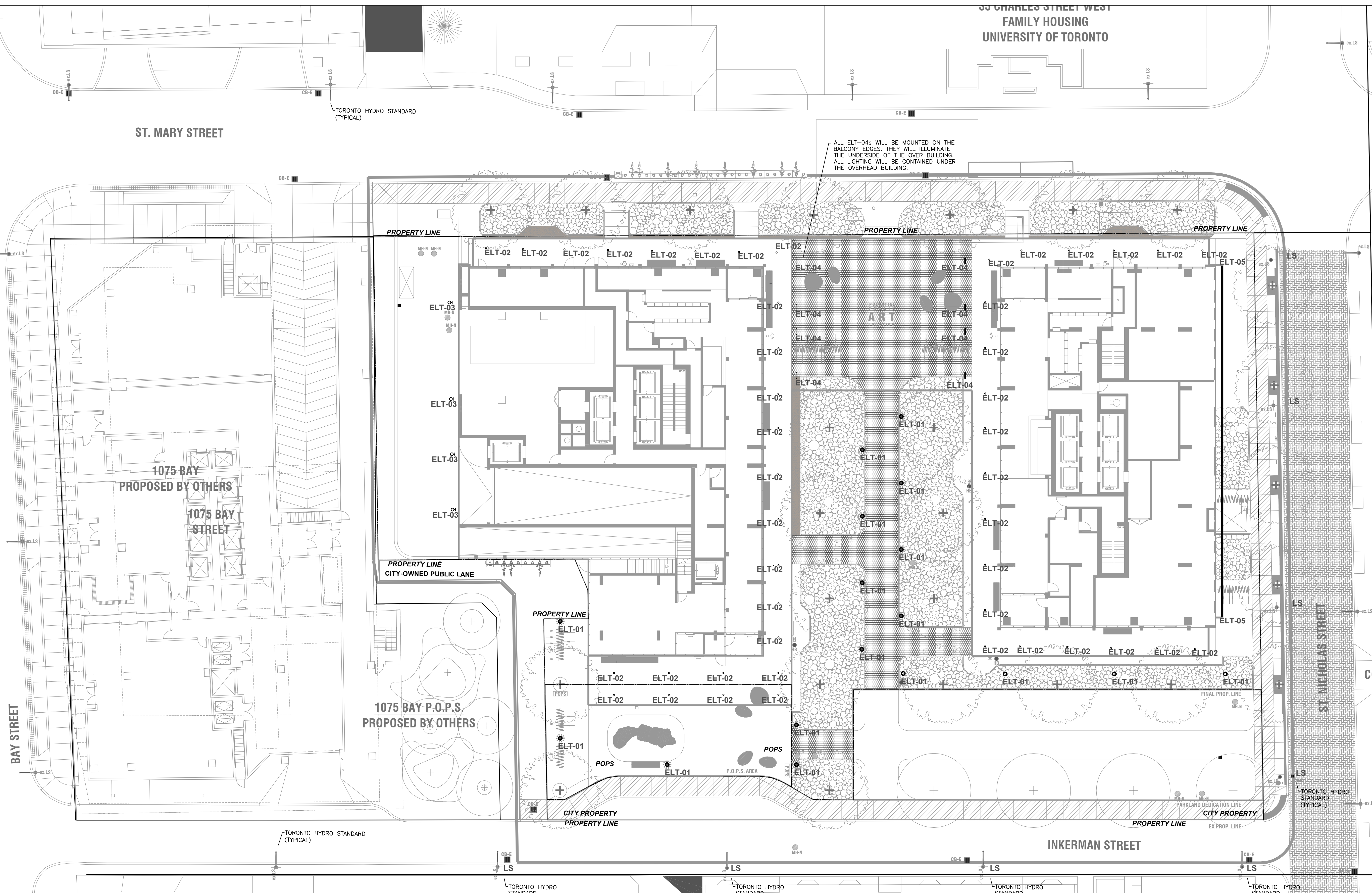
ISSUED NO.
—

DRAWING LIST

DRAWING NO.	DESCRIPTION
LD-001	TITLE PAGE, LEDGEND & DRAWING LIST
LD-101	SITE PLAN - LIGHTING PLAN
LD-101A	SITE PLAN - PHOTOMETRIC PLAN
LD-600	LUMINAIRE SCHEDULE AND DETAIL
LD-601	LUMINAIRE SCHEDULE AND DETAIL

LEGEND

SYMBOL	DESCRIPTION
LT-##	LUMINAIRE DESIGNATOR. LETTER DENOTES LUMINAIRE REFER TO LUMINAIRE SCHEDULE.
⊖	WALL SCONCE- REFER TO LUMINAIRE SCHEDULE.
○	RECESSED ROUND DOWNLIGHT - REFER TO LUMINAIRE SCHEDULE
◎	BOLLARD LUMINAIRE - REFER TO LUMINAIRE SCHEDULE
—	LINEAR LUMINAIRE - REFER TO LUMINAIRE SCHEDULE
▬	CONTINUOUS LINEAR LUMINAIRE - REFER TO LUMINAIRE SCHEDULE



75 NICH STR

COTTAGE

DRAWING STATUS

NOT FOR CONSTRUCTION

NO.	REVISION	DATE
3	RE-ISSUED FOR SPA	21 Nov. 2022
2	RE-ISSUED FOR SPA	30 Sept. 2022
1	ISSUED FOR SPA	7 June. 2021

NO.	ISSUED	DATE
		DD/MM/YY

CONTRACTOR MUST VERIFY ALL DIMENSIONS ON SITE. DO NOT SCALE DRAWING. ALL DRAWINGS, SPECIFICATIONS AND RELATED DOCUMENTS ARE THE PROPERTY OF THE CONSULTANT AND MUST BE RETURNED UPON REQUEST. REPRODUCTION OF DRAWINGS, SPECIFICATIONS AND RELATED DOCUMENTS IN PART OR IN WHOLE WITHOUT WRITTEN CONSENT FROM CONSULTANT IS NOT PERMITTED. THIS DRAWING IS NOT TO BE USED FOR CONSTRUCTION UNLESS STAMPED BY ENGINEER.

STAMP

PROJECT
Mulvey & Banani
90 SHEPPARD AVE. EAST
Toronto, Ontario

DRAWING TITLE
SITE PLAN – LIGHTING PLAN

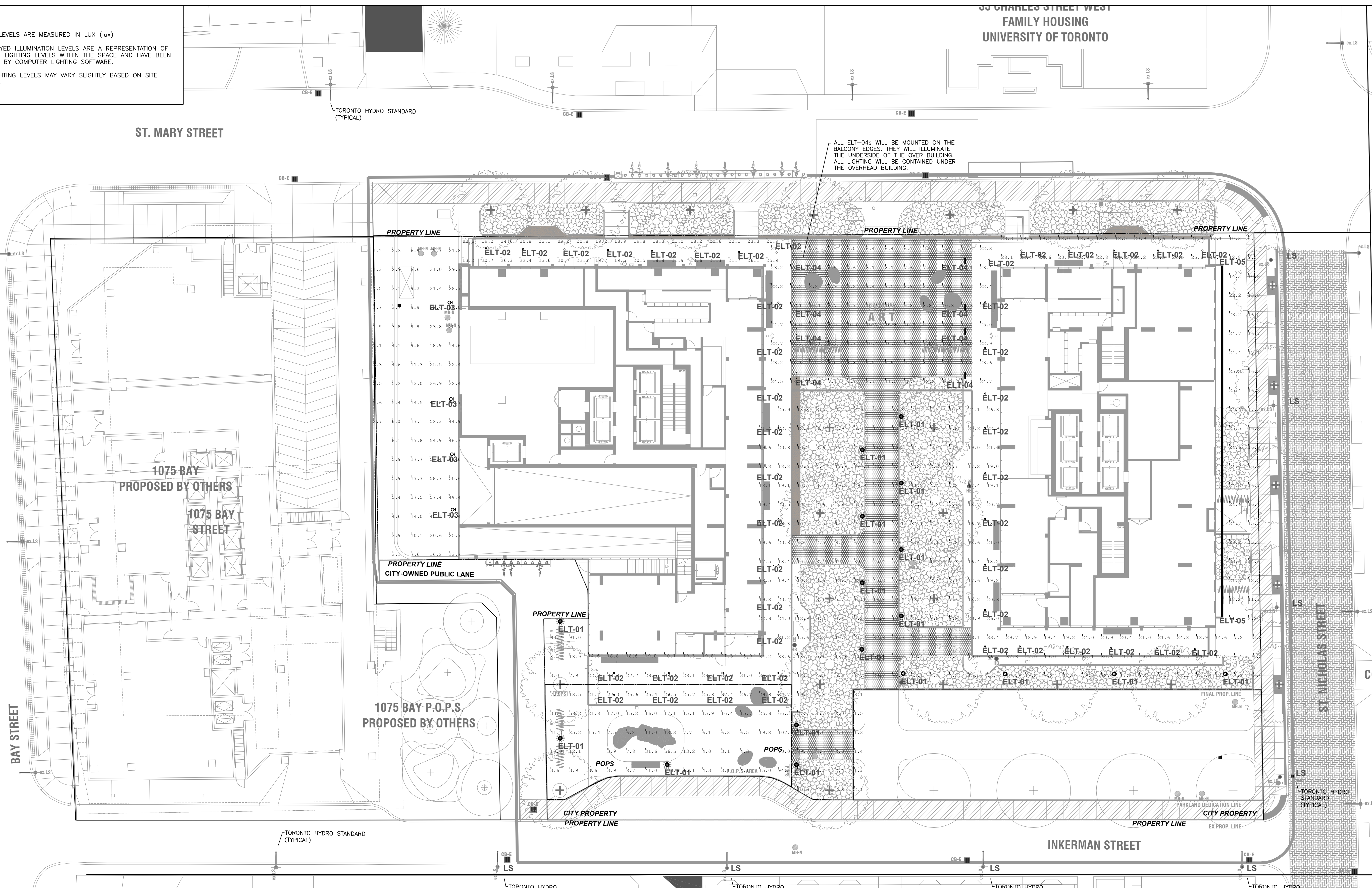
DRAWN BY: G.W.	CHECKED BY: A.M./P.B.
SCALE: 1:200	DATE: Nov 17, 2022
PROJECT NO. 212015	

DRAWING NO. LD-101	ISSUED NO. —
-----------------------	-----------------



ELT-05 SCALE: LINEAR LUMINAIRE
 ELT-04 SCALE: LINEAR LUMINAIRE
 ELT-03 SCALE: AREA LIGHT
 ELT-02A SCALE: DOWNLIGHT
 ELT-02 SCALE: DOWNLIGHT
 ELT-01 SCALE: BOLLARD

- GENERAL NOTES:
1. ALL LIGHT LEVELS ARE MEASURED IN LUX (lux)
 2. THE DISPLAYED ILLUMINATION LEVELS ARE A REPRESENTATION OF ANTICIPATED LIGHTING LEVELS WITHIN THE SPACE AND HAVE BEEN PERFORMED BY COMPUTER LIGHTING SOFTWARE.
 3. ACTUAL LIGHTING LEVELS MAY VARY SLIGHTLY BASED ON SITE CONDITIONS.



DRAWING STATUS
NOT FOR CONSTRUCTION

NO.	REVISION	DATE
3	RE-ISSUED FOR SPA	21 Nov. 2022
2	RE-ISSUED FOR SPA	30 Sept. 2022
1	ISSUED FOR SPA	7 June. 2021

NO.	ISSUED	DATE
		DD/MM/YY

CONTRACTOR MUST VERIFY ALL DIMENSIONS ON SITE. DO NOT SCALE DRAWING. ALL DRAWINGS, SPECIFICATIONS AND RELATED DOCUMENTS ARE THE PROPERTY OF THE CONSULTANT AND MUST BE RETURNED UPON REQUEST. REPRODUCTION OF DRAWINGS, SPECIFICATIONS AND RELATED DOCUMENTS IN PART OR IN WHOLE WITHOUT WRITTEN CONSENT FROM CONSULTANT IS NOT PERMITTED. THIS DRAWING IS NOT TO BE USED FOR CONSTRUCTION UNLESS STAMPED BY ENGINEER.

STAMP

PROJECT
Mulvey & Banani
90 SHEPPARD AVE. EAST
Toronto, Ontario

DRAWING TITLE
SITE PLAN -
LIGHTING CALCULATIONS (Lux)

DRAWN BY: G.W. CHECKED BY: A.M./P.B.
SCALE: 1:200 DATE: Nov 17, 2022

PROJECT NO. 212015

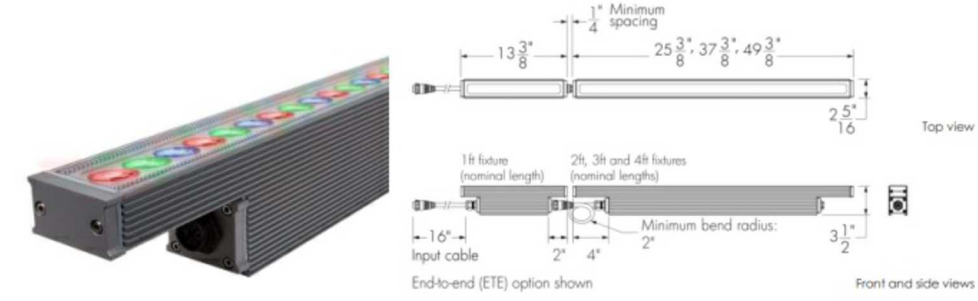
DRAWING NO. LD-101A ISSUED NO. -

Tag	Symbol	Qty	Label	Arrangement	Total Lamp Lumens	LLF	Description
LS	□	3	ELS-CITY LIGHT- CG267P (King	Single	9000	0.850	K200-EPS-III-100 (MED) -MH-120
ELT-01	○	15	88261 BEGA IES	SINGLE	N.A	0.850	
ELT-02	○	44	LCRN-A-SH-120-R-L10-30K-90-W-	Single	2241	0.850	LCRN-A-SH-120-R-L10-30K-90-W- -DB-MWH-RD- -NA
ELT-02A	○	8	LCRN-A-SH-120-R-L07-30K-90-W-	SINGLE	2241	0.850	LCRN-A-SH-120-R-L07-30K-90-W- -DB-MWH-RD- -NA
ELT-03	□	4	66455 BEGA IES	SINGLE	N.A	0.850	
ELT-04	↑	8	LOG HO-100 277-24-30K-10x30-N	SINGLE	N.A	0.850	LOG HO-100 277-24-30K-10x30-NO
ELT-05	▬	10	XOOLUM HYDRA HD10 W825 IP67 7	SINGLE	391.3	0.850	

Label	CalcType	Units	Avg	Max	Min	Avg/Min	Max/Min
Art	Illuminance	Lux	12.68	25.2	5.5	2.31	4.58
Driveway	Illuminance	Lux	19.31	63.7	1.1	17.55	57.91
Garden	Illuminance	Lux	21.48	190.6	1.3	16.52	146.62
North East	Illuminance	Lux	18.32	26.8	6.0	3.05	4.47
North West	Illuminance	Lux	20.70	26.3	12.5	1.66	2.10

Project Name: 25 St Mary SPA
LUMINAIRES
MBII Project No: 212015 | MAY 14, 2021 | Page 10

LUMINAIRE TYPE: "ELT-04"							
Description:	Linear Fixture (2')						
Lamp:	Type	Watt	Base	Colour Temp.	Average Rated Life	Lumens	
	LED	30W	COB	3000K	280,000	DEL. 1806lm	NOM. N.A.
Distribution:	Direct, 10°x30°			Efficacy: 60lm/w			
Ballast/Driver:	Remote Manufacturer distribution Box, 0-10v Dimmable						
Voltage:	120V, 60hz			CRI: 80			
Construction:	Aluminum			Mounting: Surface Mounted. See note 2			
Finish:	TBC By Arch			Trim Ring: N.A.			
Shielding:	Clear Tempered Glass			Reflector: 10°x30°			
Dimension:	10" (w), 5 (h), 16 1/8" (L)						
Notes:	1. Luminaire to be UL and cUL approved. 2. Luminaire to be surface mounted to Soffit edge 3. Luminaire to be IP66 Rated 4. Luminaire to be supplied with all accessories, power feeds and mounting hardware required to make a complete functioning luminaire.						
Manufactures:	1. Lumenpulse - LOG All proposed alternate luminaire shall be reviewed and approved by the design team.						
Location:	Under Bridge						

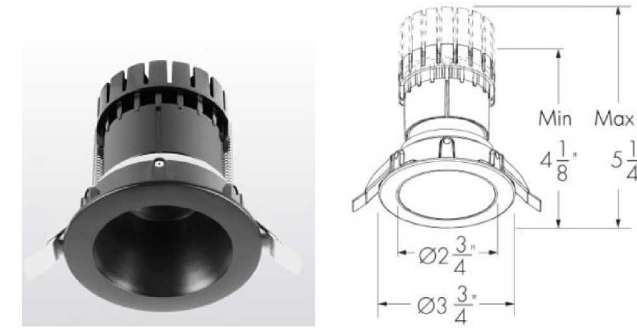


©Mulvey & Banani International Inc.

6 ELT-04
LD601 SCALE: x

Project Name: 25 St Mary SPA
LUMINAIRES
MBII Project No: 212015 | Sept 26, 2022 | Page 9

LUMINAIRE TYPE: "ELT-02A"							
Description:	Downlight						
Lamp:	Type	Watt	Base	Colour Temp.	Average Rated Life	Lumens	
	LED	9.5W	N.A.	3000K	>55,000	DEL. 594lm	NOM. N.A.
Distribution:	Wide Flood 60°			Efficacy: 63lm/w			
Ballast/Driver:	Remote Driver, 0-10V Dimmable						
Voltage:	120V, 60hz			CRI: 80+			
Construction:	Aluminum			Mounting: Recessed. See Note 2			
Finish:	TBC by Arch			Trim Ring: TBC by Arch			
Shielding:	Clear			Reflector: 60°			
Dimension:	3 3/4" (dia), 5 1/4" (h)						
Notes:	2. Luminaire to be UL and cUL approved. 3. Typical ELT-02 to be recessed into finished ceiling. 4. Luminaire to be IP55 Rated 5. Luminaire to be supplied with all accessories, power feeds and mounting hardware required to make a complete functioning luminaire.						
Manufactures:	6. Lumenpulse - LCRN All proposed alternate luminaire shall be reviewed and approved by the design team.						
Location:	Building Canopy Soffits Throughout						

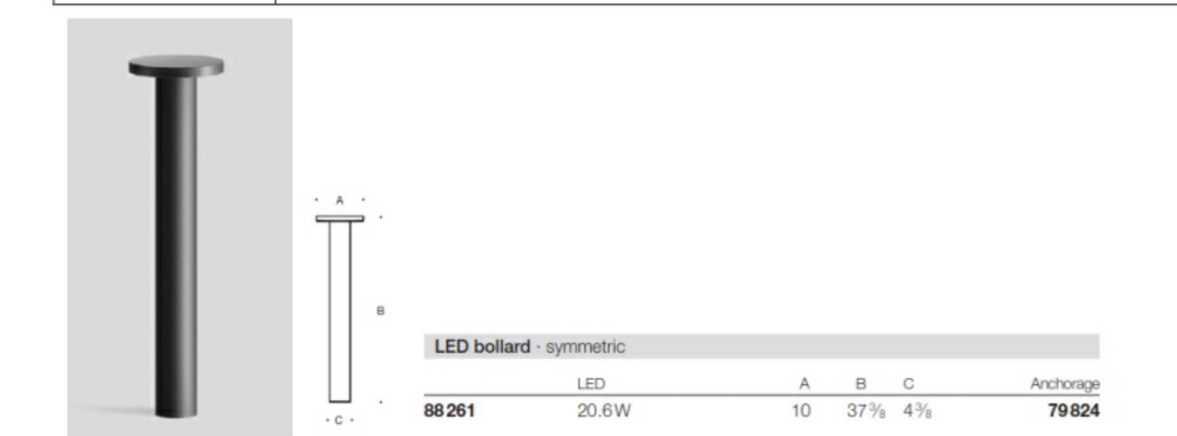


©Mulvey & Banani International Inc.

4 ELT-02A
LD600 SCALE: x

Project Name: 25 St Mary SPA
LUMINAIRES
MBII Project No: 212015 | MAY 14, 2021 | Page 7

LUMINAIRE TYPE: "ELT-01"							
Description:	Bollard						
Lamp:	Type	Watt	Base	Colour Temp.	Average Rated Life	Lumens	
	LED	25W	COB	3500K	>500,000	DEL. 1577lm	NOM. N.A.
Distribution:	Diffuse			Efficacy: 63lm/W			
Ballast/Driver:	Integral Driver, 0-10v Dimmable						
Voltage:	120V, 60hz			CRI: 80			
Construction:	Aluminum			Mounting: Anchored			
Finish:	Black			Trim Ring: N.A.			
Shielding:	Clear Safety Glass			Reflector: N.A.			
Dimension:	10" (h), 4 3/8" (dia), 10" (Top Dia)						
Notes:	1. Luminaire to be UL and cUL approved. 2. Luminaire to be IP65 Rated 3. Luminaire to be supplied with all accessories, power feeds and mounting hardware required to make a complete functioning luminaire.						
Manufactures:	1. BEGA - 79824 + K35 All proposed alternate luminaire shall be reviewed and approved by the design team.						
Location:	Garden and Pops Area						

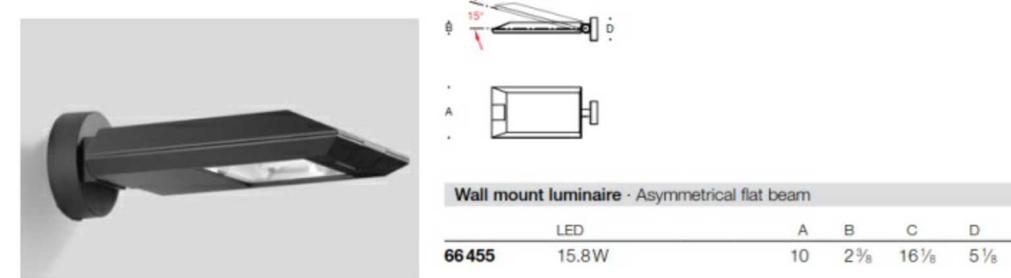


©Mulvey & Banani International Inc.

2 ELT-01
LD600 SCALE: x

Project Name: 25 St Mary SPA
LUMINAIRES
MBII Project No: 212015 | MAY 14, 2021 | Page 9

LUMINAIRE TYPE: "ELT-03"							
Description:	Wall Flood Light						
Lamp:	Type	Watt	Base	Colour Temp.	Average Rated Life	Lumens	
	LED	18W	COB	3000K	60,000	DEL. 1566lm	NOM. N.A.
Distribution:	Asymmetrical, Type III			Efficacy: 87lm/W			
Ballast/Driver:	Integral Driver, 0-10V Dimmable						
Voltage:	120V, 60hz			CRI: 80			
Construction:	Aluminum			Mounting: Wall Mounted			
Finish:	Black			Trim Ring: N.A.			
Shielding:	Clear Safety Glass			Reflector: Asymmetrical			
Dimension:	10" (w), 5 (h), 16 1/8" (L)						
Notes:	1. Luminaire to be UL and cUL approved. 2. Luminaire to be IP66 Rated 3. Luminaire to be supplied with all accessories, power feeds and mounting hardware required to make a complete functioning luminaire.						
Manufactures:	1. BEGA - 66453 + K35 All proposed alternate luminaire shall be reviewed and approved by the design team.						
Location:	Driveway						

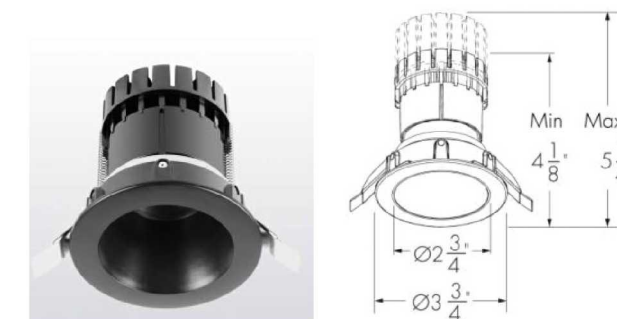


©Mulvey & Banani International Inc.

5 ELT-03
LD600 SCALE: x

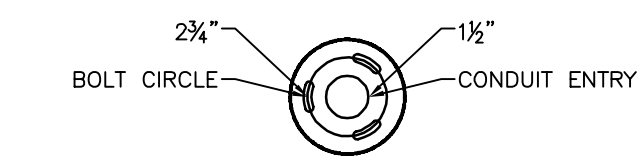
Project Name: 25 St Mary SPA
LUMINAIRES
MBII Project No: 212015 | Sept 26, 2022 | Page 8

LUMINAIRE TYPE: "ELT-02"							
Description:	Downlight						
Lamp:	Type	Watt	Base	Colour Temp.	Average Rated Life	Lumens	
	LED	13W	N.A.	3000K	>55,000	DEL. 781lm	NOM. N.A.
Distribution:	Wide Flood 60°			Efficacy: 60lm/w			
Ballast/Driver:	Remote Driver, 0-10V Dimmable						
Voltage:	120V, 60hz			CRI: 80+			
Construction:	Aluminum			Mounting: Recessed. See Note 2			
Finish:	TBC by Arch			Trim Ring: TBC by Arch			
Shielding:	Clear			Reflector: 60°			
Dimension:	3 3/4" (dia), 5 1/4" (h)						
Notes:	1. Luminaire to be UL and cUL approved. 2. Typical ELT-02 to be recessed into finished ceiling. 3. Luminaire to be IP55 Rated 4. Luminaire to be supplied with all accessories, power feeds and mounting hardware required to make a complete functioning luminaire.						
Manufactures:	1. Lumenpulse - LCRN All proposed alternate luminaire shall be reviewed and approved by the design team.						
Location:	Building Canopy Soffits Throughout						

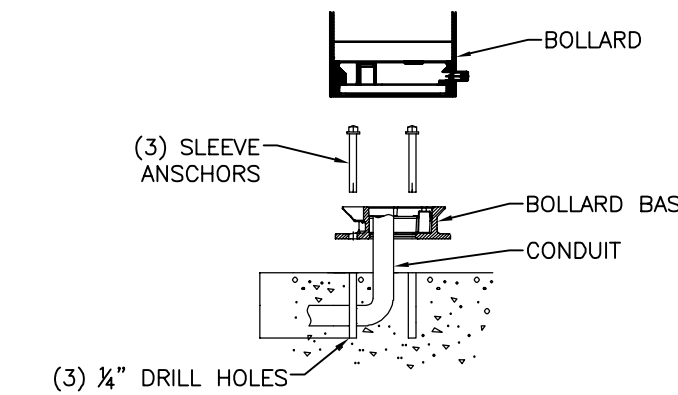


©Mulvey & Banani International Inc.

3 ELT-02
LD600 SCALE: x



TEMPLATE (BOLLARD BASE)



MOUNTING DETAIL

1 MANUFACTURER MOUNTING DETAIL
LD600 SCALE: NTS

DRAWING STATUS

NOT FOR CONSTRUCTION

NO.	REVISION	DATE
3	RE-ISSUED FOR SPA	21 Nov. 2022
2	RE-ISSUED FOR SPA	30 Sept. 2022
1	ISSUED FOR SPA	7 June. 2021
NO.	ISSUED	DATE
		DD/MM/YY

CONTRACTOR MUST VERIFY ALL DIMENSIONS ON SITE. DO NOT SCALE DRAWING. ALL DRAWINGS, SPECIFICATIONS AND RELATED DOCUMENTS ARE THE PROPERTY OF THE CONSULTANT AND MUST BE RETURNED UPON REQUEST. REPRODUCTION OF DRAWINGS, SPECIFICATIONS AND RELATED DOCUMENTS IN PART OR IN WHOLE WITHOUT WRITTEN CONSENT FROM CONSULTANT IS NOT PERMITTED. THIS DRAWING IS NOT TO BE USED FOR CONSTRUCTION UNLESS STAMPED BY ENGINEER.

STAMP

PROJECT

Mulvey & Banani
90 SHEPPARD AVE. EAST
Toronto, Ontario

DRAWING TITLE

LUMINAIRE SCHEDULE AND
DETAIL

DRAWN BY: G.W. CHECKED BY: A.M./P.B.

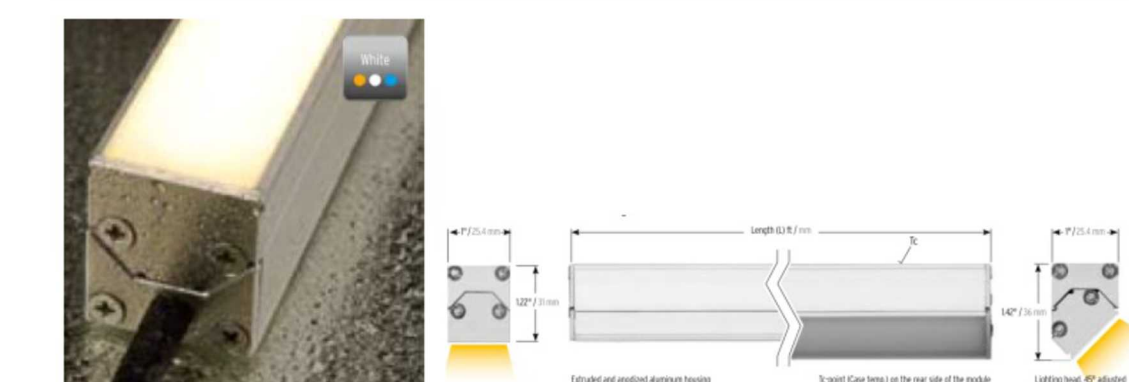
SCALE: 1:200 DATE: Nov 17, 2022

PROJECT NO. 212015

DRAWING NO. LD-600 ISSUED NO. -

Project Name: 25 St Mary SPA
LUMINAIRES
MBII Project No: 212015 | MAY 14, 2021 | Page 11

LUMINAIRE TYPE: " ELT-05"						
Description:	Continuous Linear Luminaire					
Lamp:	Type	Watt	Base	Colour Temp.	Average Rated Life	Lumens
	LED	3.1w/ft	COB	3000K	>60,000	DEL. NOM.
Distribution:	symmetrical Diffuse			Efficacy:	51lm/W	
Ballast/Driver:	Remote Driver. 0-10v Dimmable					
Voltage:	120V, 60hz			CRI:	90	
Construction:	Aluminum			Mounting:	Surface Mounted.	
Finish:	TBC By Arch			Trim Ring:	N.A.	
Shielding:	Diffuse Lens			Reflector:	Symmetrical	
Dimension:	1" (w), 1.42" (h), Length TBC					
Notes:	1. Luminaire to be UL and cUL approved. 2. Luminaire to be IP67 Rated 3. Luminaire to be supplied with all accessories, power feeds and mounting hardware required to make a complete functioning luminaire.					
Manufactures:	1. LED Linear - X00LUM IP67 All proposed alternate luminaire shall be reviewed and approved by the design team.					
Location:	Under building above					

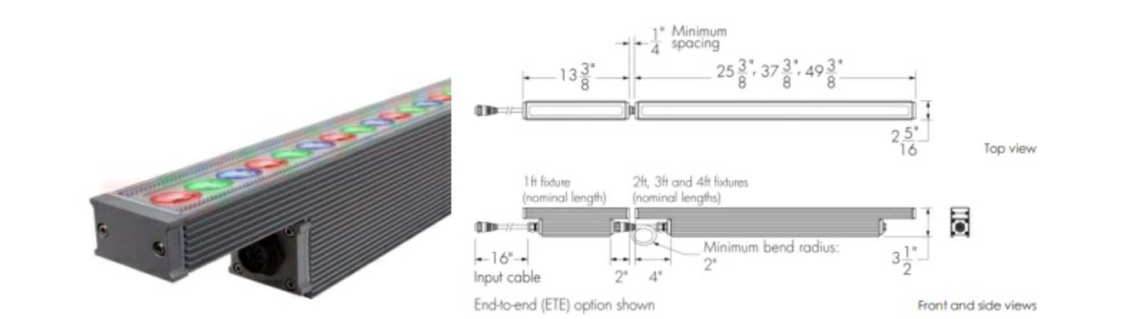


©Mulvey & Banani International Inc.

2 ELT-05
LD601 SCALE: x

Project Name: 25 St Mary SPA
LUMINAIRES
MBII Project No: 212015 | MAY 14, 2021 | Page 10

LUMINAIRE TYPE: " ELT-04"						
Description:	Linear Fixture (2')					
Lamp:	Type	Watt	Base	Colour Temp.	Average Rated Life	Lumens
	LED	30W	COB	3000K	280,000	DEL. 1806lm NOM.
Distribution:	Direct, 10°x30°			Efficacy:	60lm/w	
Ballast/Driver:	Remote Manufacturer distribution Box. 0-10v Dimmable					
Voltage:	120V, 60hz			CRI:	80	
Construction:	Aluminum			Mounting:	Surface Mounted. See note 2	
Finish:	TBC By Arch			Trim Ring:	N.A.	
Shielding:	Clear Tempered Glass			Reflector:	10°x30°	
Dimension:	10" (w), 5 (h), 16 1/8" (L)					
Notes:	1. Luminaire to be UL and cUL approved. 2. Luminaire to be surface mounted to Soffit edge 3. Luminaire to be IP66 Rated 4. Luminaire to be supplied with all accessories, power feeds and mounting hardware required to make a complete functioning luminaire.					
Manufactures:	1. Lumenpulse - LOG All proposed alternate luminaire shall be reviewed and approved by the design team.					
Location:	Under Bridge					



©Mulvey & Banani International Inc.

5 ELT-04
LD601 SCALE: x

DRAWING STATUS

NOT FOR CONSTRUCTION

NO.	REVISION	DATE
3	RE-ISSUED FOR SPA	21 Nov. 2022
2	RE-ISSUED FOR SPA	30 Sept. 2022
1	ISSUED FOR SPA	7 June. 2021
NO.	ISSUED	DATE
		DD/MM/YY

CONTRACTOR MUST VERIFY ALL DIMENSIONS ON SITE. DO NOT SCALE DRAWING. ALL DRAWINGS, SPECIFICATIONS AND RELATED DOCUMENTS ARE THE PROPERTY OF THE CONSULTANT AND MUST BE RETURNED UPON REQUEST. REPRODUCTION OF DRAWINGS, SPECIFICATIONS AND RELATED DOCUMENTS IN PART OR IN WHOLE WITHOUT WRITTEN CONSENT FROM CONSULTANT IS NOT PERMITTED. THIS DRAWING IS NOT TO BE USED FOR CONSTRUCTION UNLESS STAMPED BY ENGINEER.

STAMP

PROJECT

Mulvey & Banani
90 SHEPPARD AVE. EAST
Toronto, Ontario

DRAWING TITLE

LUMINAIRE SCHEDULE AND
DETAIL

DRAWN BY: G.W. CHECKED BY: A.M./P.B.

SCALE: 1:200 DATE: Nov 17, 2022

PROJECT NO. 212015

DRAWING NO. LD-601 ISSUED NO. -