

**MULVEY & BANANI**

LIGHTING

90 Sheppard Avenue East, Suite 500  
 Toronto, Ontario, Canada M2N 3A1  
 416.751.2520 | MBLIGHTINGDESIGN.COM

# 25 ST MARY ST

TORONTO, ONTARIO

ISSUED FOR SPA

DRAWING STATUS

NOT FOR CONSTRUCTION

NO.	REVISION	DATE
1	ISSUED FOR SPA	7 June, 2021

NO.	ISSUED	DATE
		DD/MM/YY

CONTRACTOR MUST VERIFY ALL DIMENSIONS ON SITE. DO NOT SCALE DRAWING. ALL DRAWINGS, SPECIFICATIONS AND RELATED DOCUMENTS ARE THE PROPERTY OF THE CONSULTANT AND MUST BE RETURNED UPON REQUEST. REPRODUCTION OF DRAWINGS, SPECIFICATIONS AND RELATED DOCUMENTS IN PART OR IN WHOLE WITHOUT WRITTEN CONSENT FROM CONSULTANT IS NOT PERMITTED. THIS DRAWING IS NOT TO BE USED FOR CONSTRUCTION UNLESS STAMPED BY ENGINEER.

STAMP

PROJECT  
 Mulvey & Banani  
 90 SHEPPARD AVE. EAST  
 Toronto, Ontario

DRAWING TITLE  
 TITLE PAGE

DRAWN BY:  
 G.W.

CHECKED BY:  
 A.M./P.B.

SCALE:  
 1:200

DATE:  
 May 11 2021

PROJECT NO.  
 212015

DRAWING NO.  
 LD-001

ISSUED NO.  
 --

DRAWING LIST

DRAWING NO.	DESCRIPTION
LD-001	TITLE PAGE, LEDGEND & DRAWING LIST
LD-101	SITE PLAN - LIGHTING PLAN
LD-101A	SITE PLAN - PHOTOMETRIC PLAN
LD-300	SOUTH ELEVATION - LIGHTING
LD-301	WEST ELEVATION - LIGHTING
LD-302	NORTH ELEVATION - LIGHTING
LD-303	EAST ELEVATION - LIGHTING

LEGEND

SYMBOL	DESCRIPTION
LT-##	LUMINAIRE DESIGNATOR. LETTER DENOTES LUMINAIRE REFER TO LUMINAIRE SCHEDULE.
⊖	WALL SCONCE- REFER TO LUMINAIRE SCHEDULE.
○	RECESSED ROUND DOWNLIGHT - REFER TO LUMINAIRE SCHEDULE
⊙	BOLLARD LUMINAIRE - REFER TO LUMINAIRE SCHEDULE
—	LINEAR LUMINAIRE - REFER TO LUMINAIRE SCHEDULE
▬	CONTINUOUS LINEAR LUMINAIRE - REFER TO LUMINAIRE SCHEDULE

# MULVEY & BANANI

LIGHTING

90 Sheppard Avenue East, Suite 500  
Toronto, Ontario, Canada M2N 3A1  
416.751.2520 | MBLIGHTINGDESIGN.COM

DRAWING STATUS

NOT FOR CONSTRUCTION

NO.	REVISION	DATE
1	ISSUED FOR SPA	7 June, 2021
NO.	ISSUED	DATE
DD/MM/YY		

CONTRACTOR MUST VERIFY ALL DIMENSIONS ON SITE. DO NOT SCALE DRAWING. ALL DRAWINGS, SPECIFICATIONS AND RELATED DOCUMENTS ARE THE PROPERTY OF THE CONSULTANT AND MUST BE RETURNED UPON REQUEST. REPRODUCTION OF DRAWINGS, SPECIFICATIONS AND RELATED DOCUMENTS IN PART OR IN WHOLE WITHOUT WRITTEN CONSENT FROM CONSULTANT IS NOT PERMITTED. THIS DRAWING IS NOT TO BE USED FOR CONSTRUCTION UNLESS STAMPED BY ENGINEER.

STAMP

PROJECT

Mulvey & Banani  
90 SHEPPARD AVE. EAST  
Toronto, Ontario

DRAWING TITLE

SITE PLAN –  
LIGHTING PLAN

DRAWN BY:  
G.W.

CHECKED BY:  
A.M./P.B.

SCALE:  
1:200

DATE:  
May 11 2021

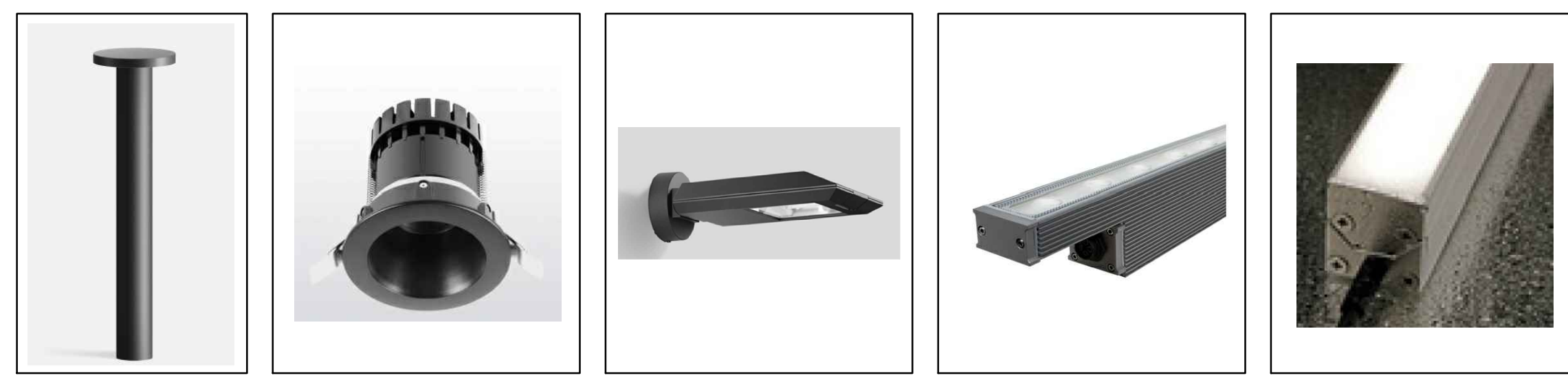
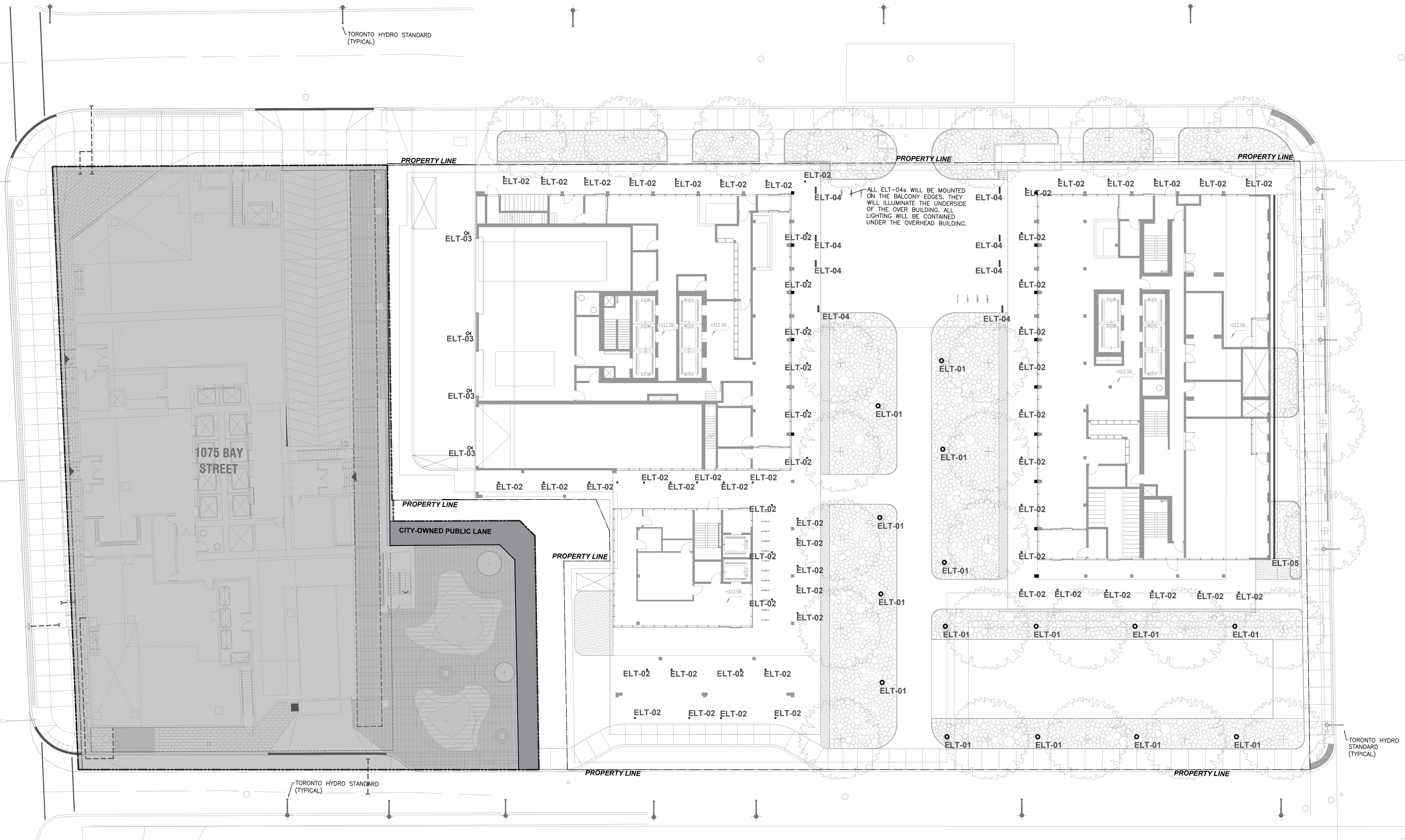
PROJECT NO.  
212015

DRAWING NO.

ISSUED NO.

LD-101

—



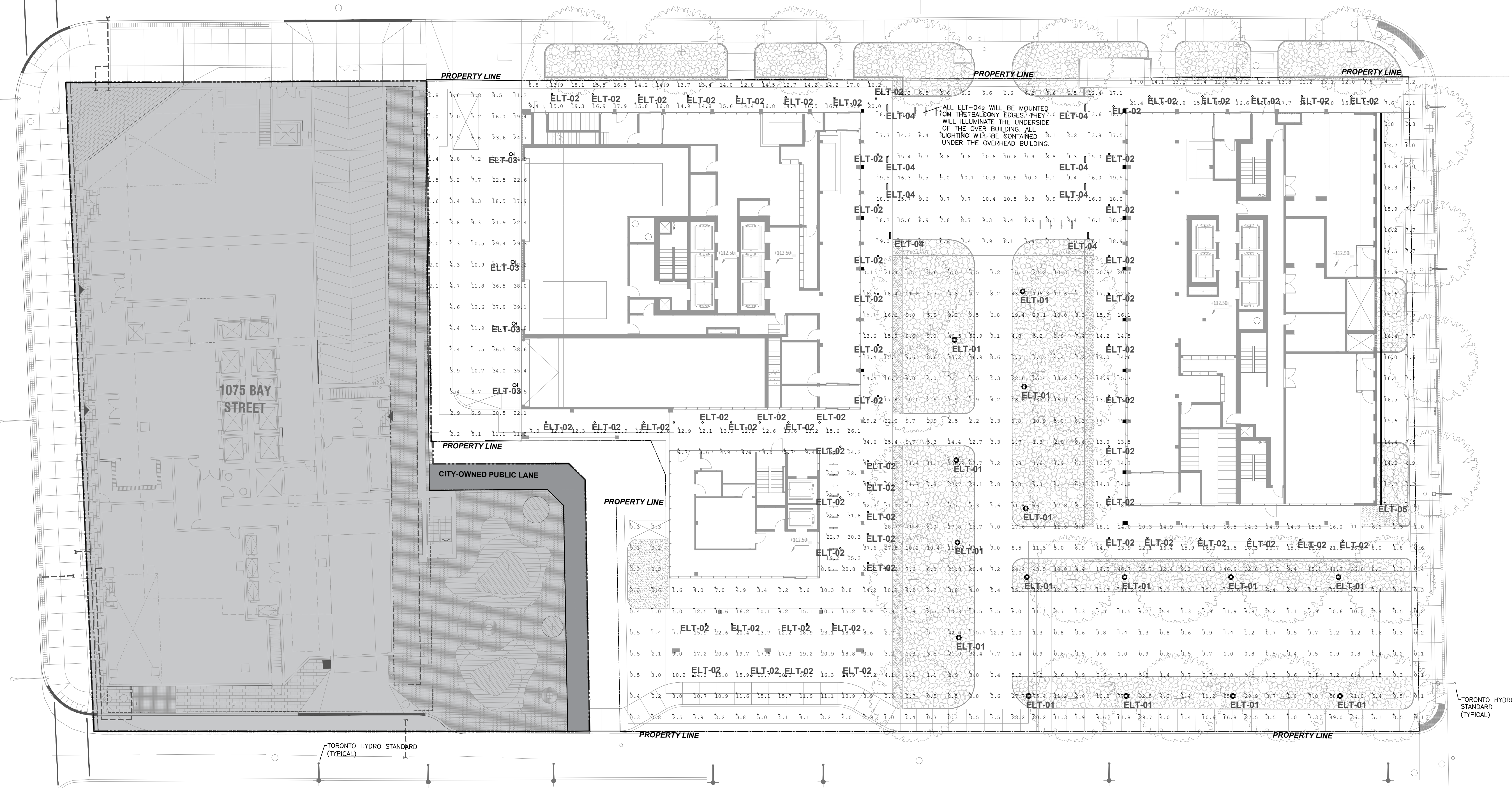
1 ELT-01 SCALE: BOLLARD  
2 ELT-02 SCALE: DOWNLIGHT  
3 ELT-03 SCALE: AREA LIGHT  
4 ELT-04 SCALE: LINEAR LUMINAIRE  
5 ELT-05 SCALE: LINEAR LUMINAIRE

- GENERAL NOTES:
1. ALL LIGHT LEVELS ARE MEASURED IN LUX (lux)
  2. THE DISPLAYED ILLUMINATION LEVELS ARE A REPRESENTATION OF ANTICIPATED LIGHTING LEVELS WITHIN THE SPACE AND HAVE BEEN PERFORMED BY COMPUTER LIGHTING SOFTWARE.
  3. ACTUAL LIGHTING LEVELS MAY VARY SLIGHTLY BASED ON SITE CONDITIONS.

# MULVEY & BANANI

LIGHTING  
 90 Sheppard Avenue East, Suite 500  
 Toronto, Ontario, Canada M2N 3A1  
 416.751.2520 | MBLIGHTINGDESIGN.COM

TORONTO HYDRO STANDARD (TYPICAL)



DRAWING STATUS

NOT FOR CONSTRUCTION

NO.	REVISION	DATE
1	ISSUED FOR SPA	7 June, 2021
NO.	ISSUED	DATE
		DD/MM/YY

CONTRACTOR MUST VERIFY ALL DIMENSIONS ON SITE. DO NOT SCALE DRAWING. ALL DRAWINGS, SPECIFICATIONS AND RELATED DOCUMENTS ARE THE PROPERTY OF THE CONSULTANT AND MUST BE RETURNED UPON REQUEST. REPRODUCTION OF DRAWINGS, SPECIFICATIONS AND RELATED DOCUMENTS IN PART OR IN WHOLE WITHOUT WRITTEN CONSENT FROM CONSULTANT IS NOT PERMITTED. THIS DRAWING IS NOT TO BE USED FOR CONSTRUCTION UNLESS STAMPED BY ENGINEER.

STAMP

PROJECT

Mulvey & Banani  
 90 SHEPPARD AVE. EAST  
 Toronto, Ontario

DRAWING TITLE

SITE PLAN -  
 LIGHTING CALCULATIONS (Lux)

Tag	Symbol	Qty	Label	Arrangement	Total Lamp Lumens	LLF	Description
ELT-01	○	15	88261 BEGA IES	SINGLE	N.A.	0.850	
ELT-02	○	64	LCRN-A-SH-120-R-L07-30K-90-W-	SINGLE	2241	0.850	LCRN-A-SH-120-R-L07-30K-90-W- -DB-MWH-RD- -NA
ELT-03	□	4	66453 BEGA IES	SINGLE	N.A.	0.850	
ELT-04	⊥	8	LOG HO-100 277-24-30K-10x30-N	SINGLE	N.A.	0.850	LOG HO-100 277-24-30K-10x30-NO
ELT-05	▬	10	XOOLUM HYDRA HD10 W825 IP67 7	SINGLE	391.39	0.850	

Label	CalcType	Units	Avg	Max	Min	Avg/Min	Max/Min
Art	Illuminance	Lux	11.25	20.3	5.3	2.12	3.83
Driveway	Illuminance	Lux	13.48	36.9	0.8	16.85	46.13
Garden	Illuminance	Lux	15.02	208.3	0.0	N.A.	N.A.
North East	Illuminance	Lux	12.13	22.6	1.2	10.11	18.83
North West	Illuminance	Lux	16.20	21.1	9.4	1.72	2.24
Pathway	Illuminance	Lux	17.31	36.3	3.8	4.56	9.55

DRAWN BY: G.W. CHECKED BY: A.M./P.B.

SCALE: 1:200 DATE: May 11 2021

PROJECT NO. 212015

DRAWING NO. LD-101A

ISSUED NO. -

NOTES:

1. ELT-04 – LINEAR LED SURFACE MOUNTED ON THE BALCONY EDGES, HIGHLIGHTING THE UNDERSIDE OF THE ARCHITECTURAL FORMS, CONTRIBUTING MINIMALLY TO THE GENERAL LIGHTING. ALL LIGHT WILL BE CONTAINED TO THE UNDERSIDE.
2. ELT-02 TYPICAL – RECESSED DOWNLIGHTING INTEGRATED INTO FINISHED CEILING, HIGHLIGHTING THE ARCHITECTURAL FORMS WHILE PROVIDING GENERAL ILLUMINATION TO THE SURFACE BELOW.
3. ELT-01 – PLEASE REFER TO LD101 AND LANDSCAPE DRAWING PACKAGE FOR MORE DETAILS.

**MULVEY & BANANI**

LIGHTING

90 Sheppard Avenue East, Suite 500  
 Toronto, Ontario, Canada M2N 3A1  
 416.751.2520 | MBLIGHTINGDESIGN.COM

DRAWING STATUS

NOT FOR CONSTRUCTION

NO.	REVISION	DATE
1	ISSUED FOR SPA	7 June, 2021
NO.	ISSUED	DATE
		DD/MM/YY

CONTRACTOR MUST VERIFY ALL DIMENSIONS ON SITE. DO NOT SCALE DRAWING. ALL DRAWINGS, SPECIFICATIONS AND RELATED DOCUMENTS ARE THE PROPERTY OF THE CONSULTANT AND MUST BE RETURNED UPON REQUEST. REPRODUCTION OF DRAWINGS, SPECIFICATIONS AND RELATED DOCUMENTS IN PART OR IN WHOLE WITHOUT WRITTEN CONSENT FROM CONSULTANT IS NOT PERMITTED. THIS DRAWING IS NOT TO BE USED FOR CONSTRUCTION UNLESS STAMPED BY ENGINEER.

STAMP

PROJECT

Mulvey & Banani  
 90 SHEPPARD AVE. EAST  
 Toronto, Ontario

DRAWING TITLE

SOUTH ELEVATION – LIGHTING

DRAWN BY:  
 G.W.

CHECKED BY:  
 A.M./P.B.

SCALE:  
 AS SHOWN

DATE:  
 May 11 2021

PROJECT NO.  
 212015

DRAWING NO.  
 LD-300

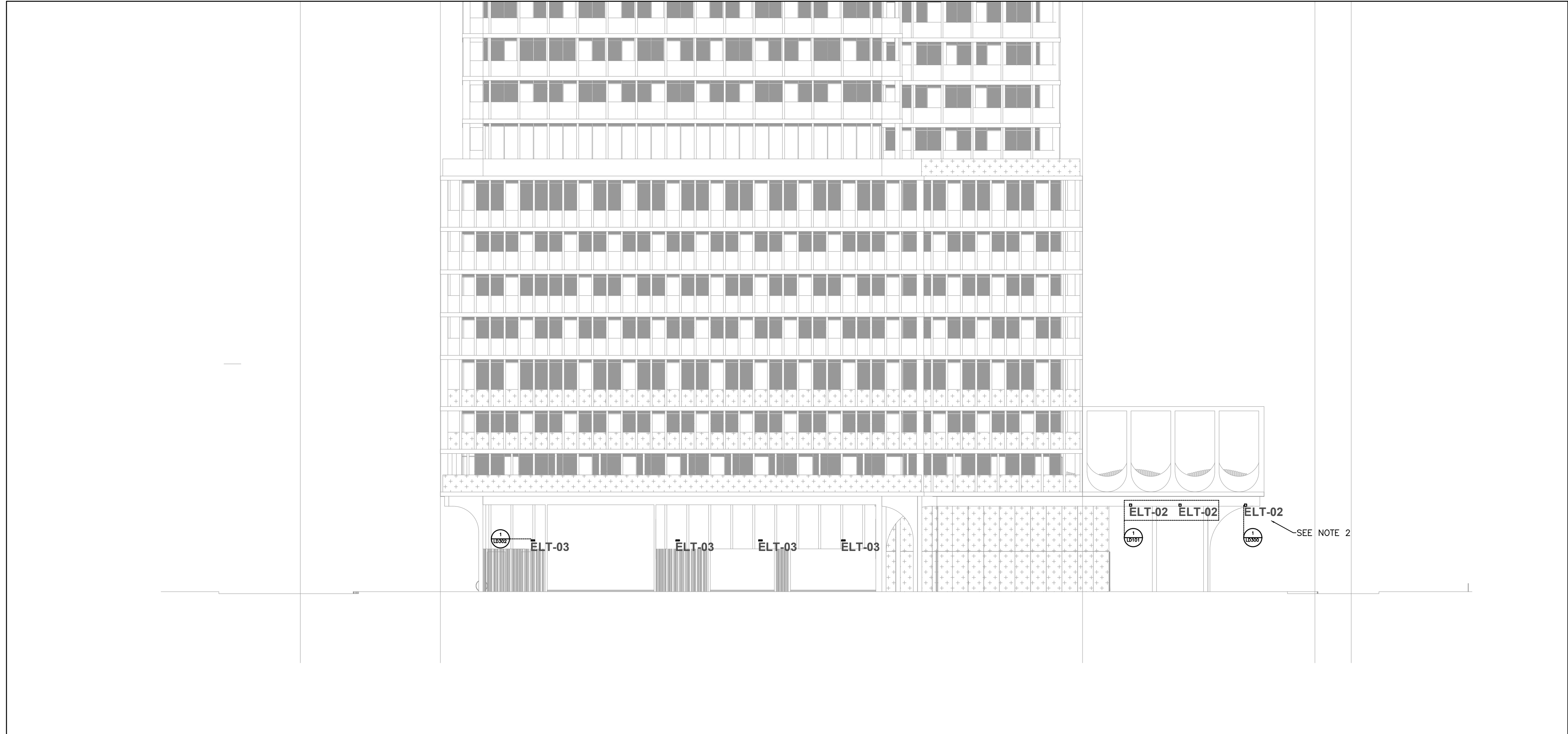
ISSUED NO.  
 --



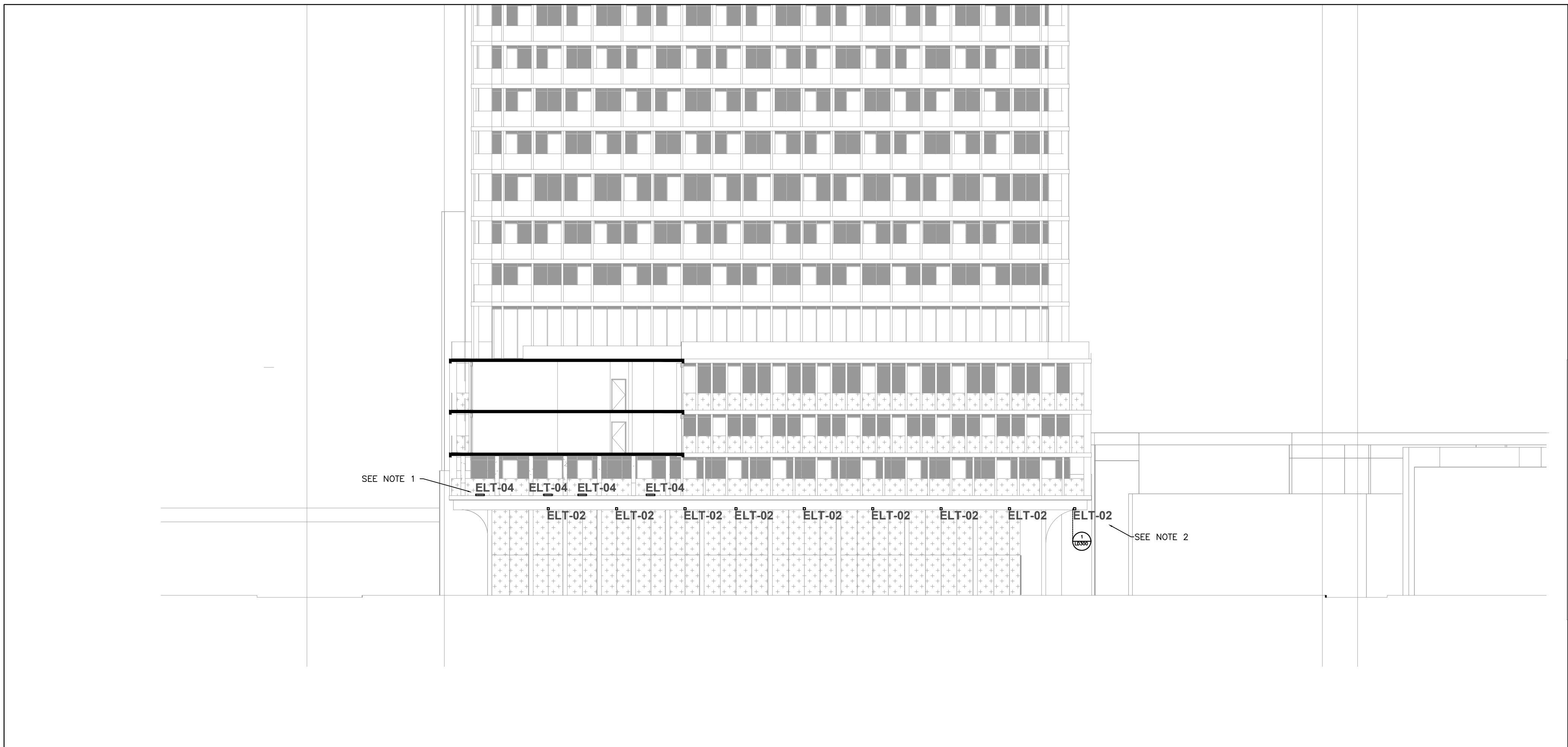
1 SOUTH ELEVATION  
 LD300 SCALE: 1:200

NOTES:

1. ELT-04 – LINEAR LED SURFACE MOUNTED ON THE BALCONY EDGES, HIGHLIGHTING THE UNDERSIDE OF THE ARCHITECTURAL FORMS, CONTRIBUTING MINIMALLY TO THE GENERAL LIGHTING. ALL LIGHT WILL BE CONTAINED TO THE UNDERSIDE.
2. ELT-02 TYPICAL – RECESSED DOWNLIGHTING INTEGRATED INTO FINISHED CEILING, HIGHLIGHTING THE ARCHITECTURAL FORMS WHILE PROVIDING GENERAL ILLUMINATION TO THE SURFACE BELOW.



2 WEST ELEVATION 1  
LD300 SCALE: 1:200



1 WEST ELEVATION 2  
LD300 SCALE: 1:200

**MULVEY & BANANI**

LIGHTING

90 Sheppard Avenue East, Suite 500  
Toronto, Ontario, Canada M2N 3A1  
416.751.2520 | MBLIGHTINGDESIGN.COM

DRAWING STATUS

NOT FOR CONSTRUCTION

NO.	REVISION	DATE
1	ISSUED FOR SPA	7 June, 2021
NO.	ISSUED	DATE
		DD/MM/YY

CONTRACTOR MUST VERIFY ALL DIMENSIONS ON SITE. DO NOT SCALE DRAWING. ALL DRAWINGS, SPECIFICATIONS AND RELATED DOCUMENTS ARE THE PROPERTY OF THE CONSULTANT AND MUST BE RETURNED UPON REQUEST. REPRODUCTION OF DRAWINGS, SPECIFICATIONS AND RELATED DOCUMENTS IN PART OR IN WHOLE WITHOUT WRITTEN CONSENT FROM CONSULTANT IS NOT PERMITTED. THIS DRAWING IS NOT TO BE USED FOR CONSTRUCTION UNLESS STAMPED BY ENGINEER.

STAMP

PROJECT

Mulvey & Banani  
90 SHEPPARD AVE. EAST  
Toronto, Ontario

DRAWING TITLE

WEST ELEVATIONS – LIGHTING

DRAWN BY: G.W.	CHECKED BY: A.M./P.B.
SCALE: 1:200	DATE: May 11 2021

PROJECT NO.  
212015

DRAWING NO. LD-301	ISSUED NO. —
-----------------------	-----------------

- NOTES:
- ELT-04 – LINEAR LED SURFACE MOUNTED ON THE BALCONY EDGES, HIGHLIGHTING THE UNDERSIDE OF THE ARCHITECTURAL FORMS, CONTRIBUTING MINIMALLY TO THE GENERAL LIGHTING. ALL LIGHT WILL BE CONTAINED TO THE UNDERSIDE.
  - ELT-02 TYPICAL – RECESSED DOWNLIGHTING INTEGRATED INTO FINISHED CEILING, HIGHLIGHTING THE ARCHITECTURAL FORMS WHILE PROVIDING GENERAL ILLUMINATION TO THE SURFACE BELOW.
  - ELT-01 – PLEASE REFER TO LD101 AND LANDSCAPE DRAWING PACKAGE FOR MORE DETAILS.

**MULVEY & BANANI**  
LIGHTING

90 Sheppard Avenue East, Suite 500  
Toronto, Ontario, Canada M2N 3A1  
416.751.2520 | MBLIGHTINGDESIGN.COM

DRAWING STATUS

NOT FOR CONSTRUCTION

NO.	REVISION	DATE
1	ISSUED FOR SPA	7 June, 2021
NO.	ISSUED	DATE
		DD/MM/YY

CONTRACTOR MUST VERIFY ALL DIMENSIONS ON SITE. DO NOT SCALE DRAWING. ALL DRAWINGS, SPECIFICATIONS AND RELATED DOCUMENTS ARE THE PROPERTY OF THE CONSULTANT AND MUST BE RETURNED UPON REQUEST. REPRODUCTION OF DRAWINGS, SPECIFICATIONS AND RELATED DOCUMENTS IN PART OR IN WHOLE WITHOUT WRITTEN CONSENT FROM CONSULTANT IS NOT PERMITTED. THIS DRAWING IS NOT TO BE USED FOR CONSTRUCTION UNLESS STAMPED BY ENGINEER.

STAMP

PROJECT

Mulvey & Banani  
90 SHEPPARD AVE. EAST  
Toronto, Ontario

DRAWING TITLE

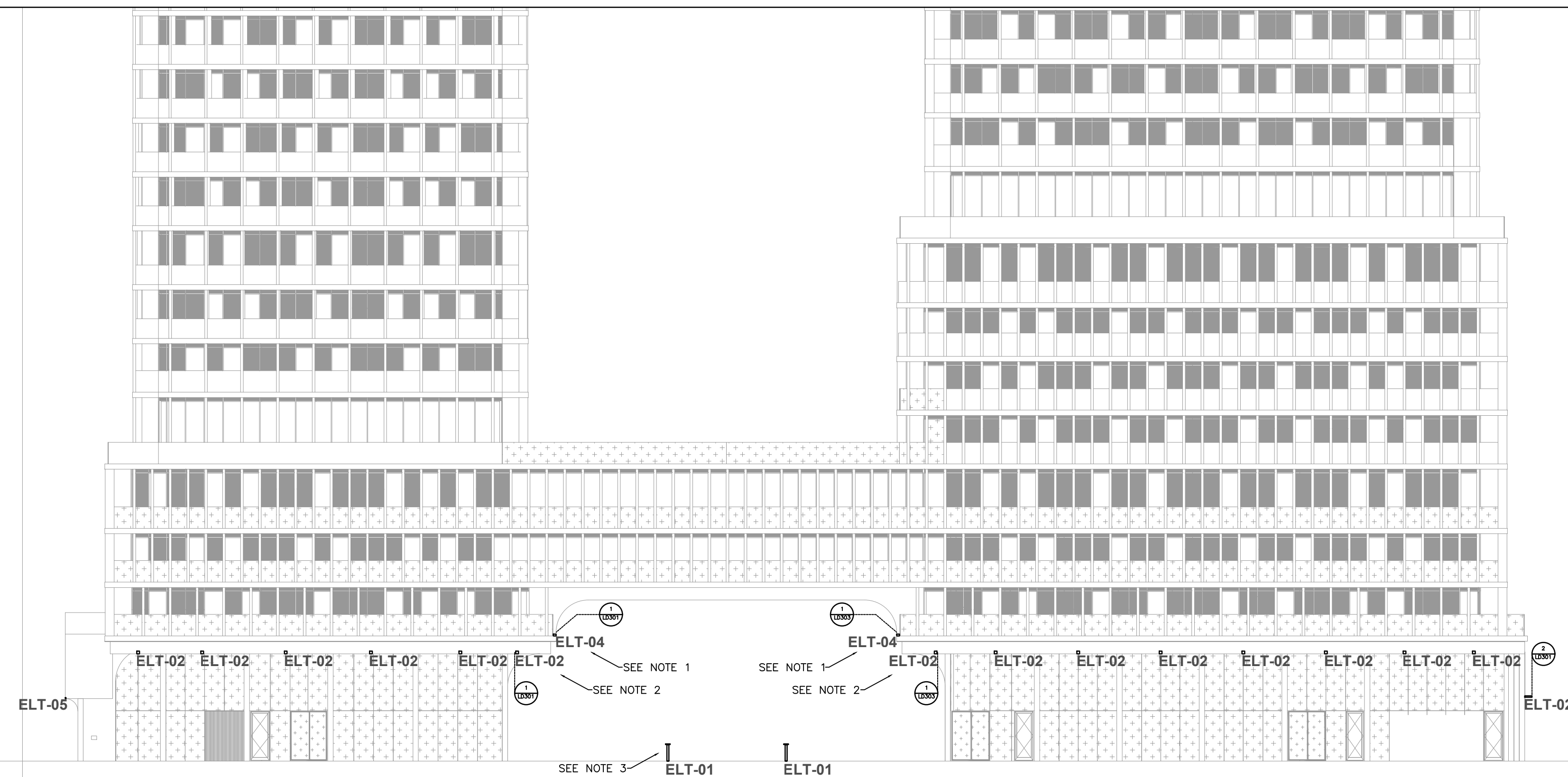
NORTH ELEVATION – LIGHTING

DRAWN BY: G.W. CHECKED BY: A.M./P.B.

SCALE: AS SHOWN DATE: May 11 2021

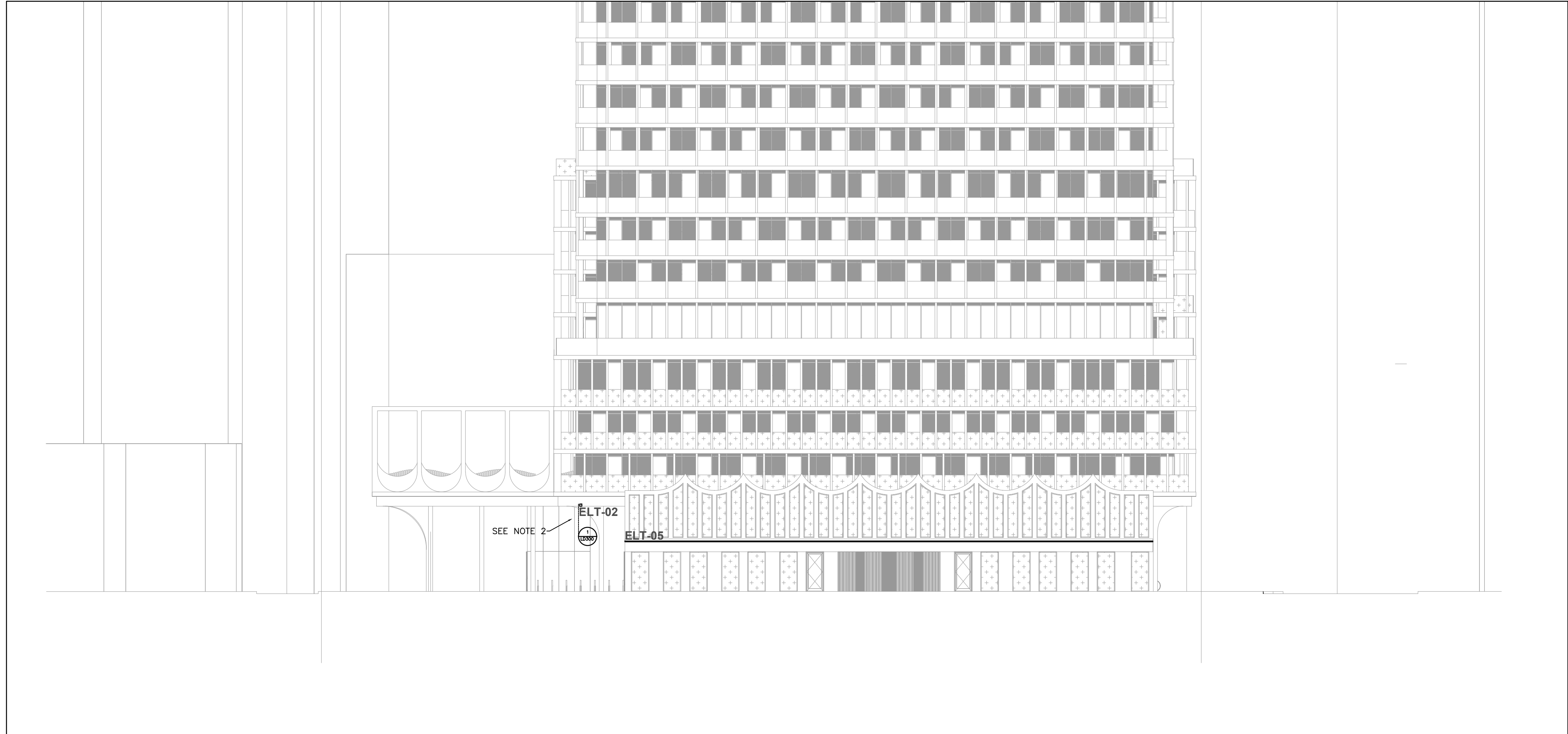
PROJECT NO. 212015

DRAWING NO. LD-302 ISSUED NO. --



NOTES:

1. ELT-04 – LINEAR LED SURFACE MOUNTED ON THE BALCONY EDGES, HIGHLIGHTING THE UNDERSIDE OF THE ARCHITECTURAL FORMS, CONTRIBUTING MINIMALLY TO THE GENERAL LIGHTING. ALL LIGHT WILL BE CONTAINED TO THE UNDERSIDE.
2. ELT-02 TYPICAL – RECESSED DOWNLIGHTING INTEGRATED INTO FINISHED CEILING, HIGHLIGHTING THE ARCHITECTURAL FORMS WHILE PROVIDING GENERAL ILLUMINATION TO THE SURFACE BELOW.



2 EAST ELEVATION 1  
LD303 SCALE: 1:200



1 EAST ELEVATION 2  
LD303 SCALE: 1:200

**MULVEY & BANANI**  
LIGHTING

90 Sheppard Avenue East, Suite 500  
Toronto, Ontario, Canada M2N 3A1  
416.751.2520 | MBLIGHTINGDESIGN.COM

DRAWING STATUS

NOT FOR CONSTRUCTION

NO.	REVISION	DATE
1	ISSUED FOR SPA	7 June, 2021
NO.	ISSUED	DATE
		DD/MM/YY

CONTRACTOR MUST VERIFY ALL DIMENSIONS ON SITE. DO NOT SCALE DRAWING. ALL DRAWINGS, SPECIFICATIONS AND RELATED DOCUMENTS ARE THE PROPERTY OF THE CONSULTANT AND MUST BE RETURNED UPON REQUEST. REPRODUCTION OF DRAWINGS, SPECIFICATIONS AND RELATED DOCUMENTS IN PART OR IN WHOLE WITHOUT WRITTEN CONSENT FROM CONSULTANT IS NOT PERMITTED. THIS DRAWING IS NOT TO BE USED FOR CONSTRUCTION UNLESS STAMPED BY ENGINEER.

STAMP

PROJECT

Mulvey & Banani  
90 SHEPPARD AVE. EAST  
Toronto, Ontario

DRAWING TITLE

EAST ELEVATIONS – LIGHTING

DRAWN BY: G.W. CHECKED BY: A.M./P.B.

SCALE: 1:200 DATE: May 11 2021

PROJECT NO. 212015

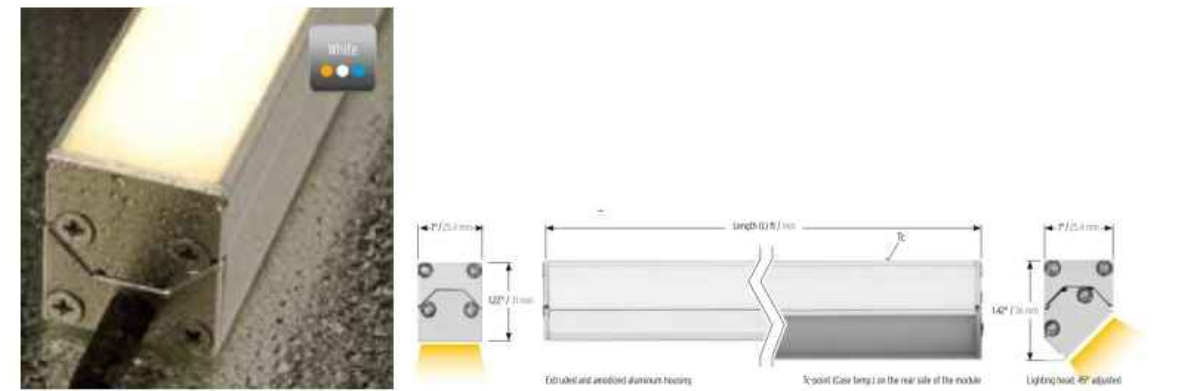
DRAWING NO. LD-303 ISSUED NO. --

MULVEY & BANANI

Section 26 50 00

Project Name: 25 St Mary SPA  
LUMINAIRE SCHEDULE  
MBII Project No: 212015 | MAY 14, 2021 | Page 11

LUMINAIRE TYPE: "ELT-05"						
Description:	Continuous Linear Luminaire					
Lamp:	Type	Watt	Base	Colour Temp.	Average Rated Life	Lumens
	LED	3.1w/ft	COB	3000K	>60,000	DEL. 1577lm NOM.
Distribution:	symmetrical Diffuse		Efficacy: 51lm/W			
Ballast/Driver:	Remote Driver. 0-10v Dimmable					
Voltage:	120V, 60hz		CRI:		90	
Construction:	Aluminum		Mounting: Surface Mounted.			
Finish:	TBC By Arch		Trim Ring: N.A.			
Shielding:	Diffuse Lens		Reflector: Symmetrical			
Dimension:	1" (w), 1.42" (h), Length TBC					
Notes:	1. Luminaire to be UL and cUL approved. 2. Luminaire to be IP67 Rated 3. Luminaire to be supplied with all accessories, power feeds and mounting hardware required to make a complete functioning luminaire.					
Manufactures:	1. LED Linear - X00LUM IP67 All proposed alternate luminaire shall be reviewed and approved by the design team.					
Location:	Under building above					



©Mulvey & Banani International Inc.

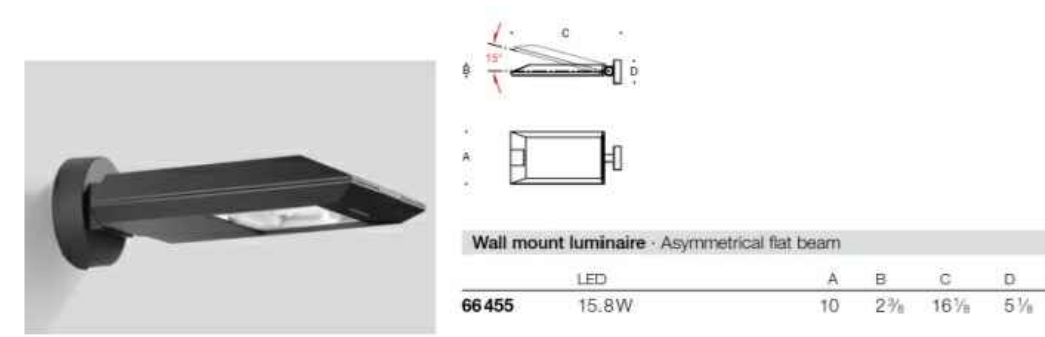
6 ELT-05  
LD600 SCALE: x

MULVEY & BANANI

Section 26 50 00

Project Name: 25 St Mary SPA  
LUMINAIRE SCHEDULE  
MBII Project No: 212015 | MAY 14, 2021 | Page 9

LUMINAIRE TYPE: "ELT-03"						
Description:	Wall Flood Light					
Lamp:	Type	Watt	Base	Colour Temp.	Average Rated Life	Lumens
	LED	18W	COB	3000K	60,000	DEL. 1566lm NOM. N.A.
Distribution:	Asymmetrical, Type III		Efficacy: 87lm/W			
Ballast/Driver:	Integral Driver, 0-10v Dimmable					
Voltage:	120V, 60hz		CRI:		80	
Construction:	Aluminum		Mounting: Wall Mounted			
Finish:	Black		Trim Ring: N.A.			
Shielding:	Clear Safety Glass		Reflector: Asymmetrical			
Dimension:	10" (w), 5 (h), 16 1/8" (L)					
Notes:	1. Luminaire to be UL and cUL approved. 2. Luminaire to be IP66 Rated 3. Luminaire to be supplied with all accessories, power feeds and mounting hardware required to make a complete functioning luminaire.					
Manufactures:	1. BEGA - 66453 + K35 All proposed alternate luminaire shall be reviewed and approved by the design team.					
Location:	Driveway					



©Mulvey & Banani International Inc.

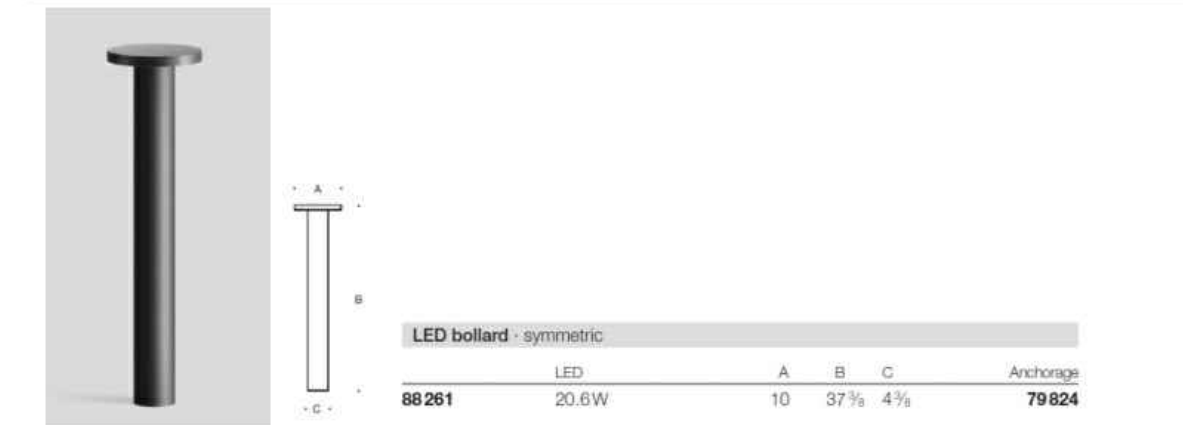
4 ELT-03  
LD600 SCALE: x

MULVEY & BANANI

Section 26 50 00

Project Name: 25 St Mary SPA  
LUMINAIRE SCHEDULE  
MBII Project No: 212015 | MAY 14, 2021 | Page 7

LUMINAIRE TYPE: "ELT-01"						
Description:	Bollard					
Lamp:	Type	Watt	Base	Colour Temp.	Average Rated Life	Lumens
	LED	25W	COB	3500K	>500,000	DEL. 1577lm NOM.
Distribution:	Diffuse		Efficacy: 63lm/W			
Ballast/Driver:	Integral Driver, 0-10v Dimmable					
Voltage:	120V, 60hz		CRI:		80	
Construction:	Aluminum		Mounting: Anchored			
Finish:	Black		Trim Ring: N.A.			
Shielding:	Clear Safety Glass		Reflector: N.A.			
Dimension:	10" (h), 4 3/8" (dia), 10" (Top Dia)					
Notes:	1. Luminaire to be UL and cUL approved. 2. Luminaire to be IP65 Rated 3. Luminaire to be supplied with all accessories, power feeds and mounting hardware required to make a complete functioning luminaire.					
Manufactures:	1. BEGA - 79824 + K35 All proposed alternate luminaire shall be reviewed and approved by the design team.					
Location:	Garden and Pops Area					



©Mulvey & Banani International Inc.

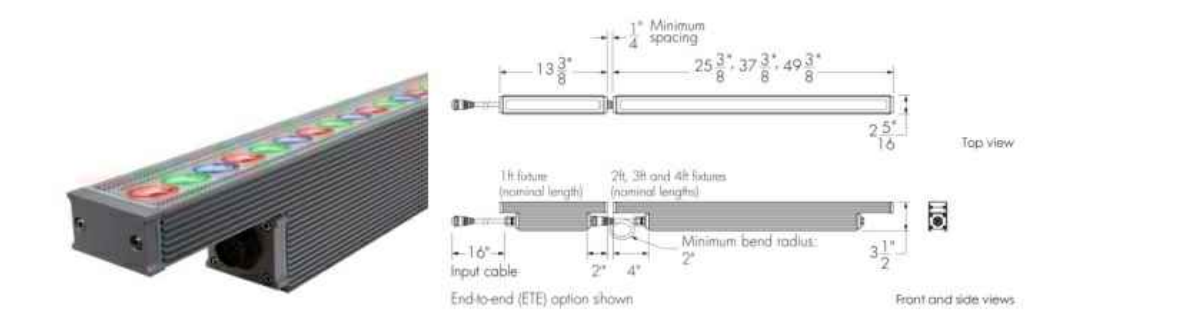
2 ELT-01  
LD600 SCALE: x

MULVEY & BANANI

Section 26 50 00

Project Name: 25 St Mary SPA  
LUMINAIRE SCHEDULE  
MBII Project No: 212015 | MAY 14, 2021 | Page 10

LUMINAIRE TYPE: "ELT-04"						
Description:	Linear Fixture (2')					
Lamp:	Type	Watt	Base	Colour Temp.	Average Rated Life	Lumens
	LED	30W	COB	3000K	280,000	DEL. 1806lm NOM.
Distribution:	Direct, 10°x30°		Efficacy: 60lm/w			
Ballast/Driver:	Remote Manufacturer distribution Box. 0-10v Dimmable					
Voltage:	120V, 60hz		CRI:		80	
Construction:	Aluminum		Mounting: Surface Mounted. See note 2			
Finish:	TBC By Arch		Trim Ring: N.A.			
Shielding:	Clear Tempered Glass		Reflector: 10°x30°			
Dimension:	10" (w), 5 (h), 16 1/8" (L)					
Notes:	1. Luminaire to be UL and cUL approved. 2. Luminaire to be surface mounted to Soffit edge 3. Luminaire to be IP66 Rated 4. Luminaire to be supplied with all accessories, power feeds and mounting hardware required to make a complete functioning luminaire.					
Manufactures:	1. Lumenpulse - LOG All proposed alternate luminaire shall be reviewed and approved by the design team.					
Location:	Under Bridge					



©Mulvey & Banani International Inc.

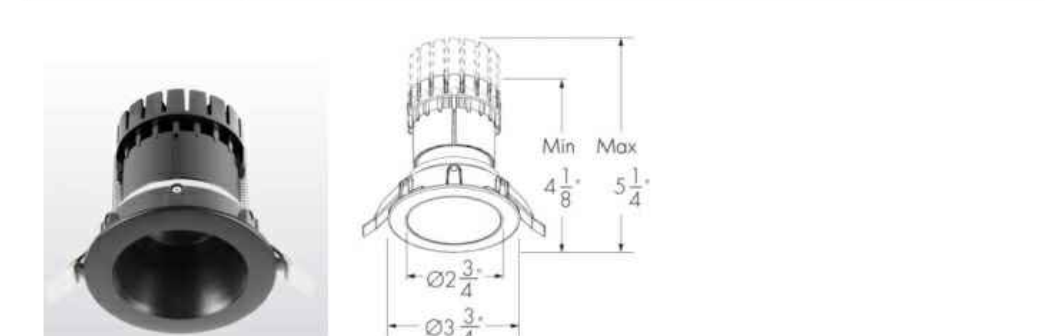
5 ELT-04  
LD600 SCALE: x

MULVEY & BANANI

Section 26 50 00

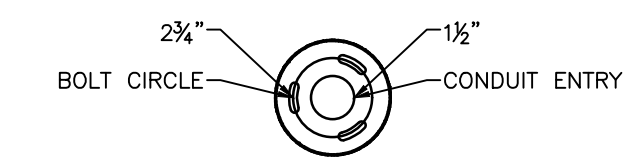
Project Name: 25 St Mary SPA  
LUMINAIRE SCHEDULE  
MBII Project No: 212015 | MAY 14, 2021 | Page 8

LUMINAIRE TYPE: "ELT-02"						
Description:	Downlight					
Lamp:	Type	Watt	Base	Colour Temp.	Average Rated Life	Lumens
	LED	9.5W	N.A.	3000K	>55,000	DEL. 594lm NOM. N.A.
Distribution:	Wide Flood 60°		Efficacy: 63lm/w			
Ballast/Driver:	Remote Driver, 0-10v Dimmable					
Voltage:	120V, 60hz		CRI:		80+	
Construction:	Aluminum		Mounting: Recessed. See Note 2			
Finish:	TBC by Arch		Trim Ring: TBC by Arch			
Shielding:	Clear		Reflector: 60°			
Dimension:	3 3/4" (dia), 5 1/4" (h)					
Notes:	1. Luminaire to be UL and cUL approved. 2. Typical ELT-02 to be recessed into finished ceiling. 3. Luminaire to be IP55 Rated 4. Luminaire to be supplied with all accessories, power feeds and mounting hardware required to make a complete functioning luminaire.					
Manufactures:	1. Lumenpulse - LCRN All proposed alternate luminaire shall be reviewed and approved by the design team.					
Location:	Building Canopy Soffits Throughout					

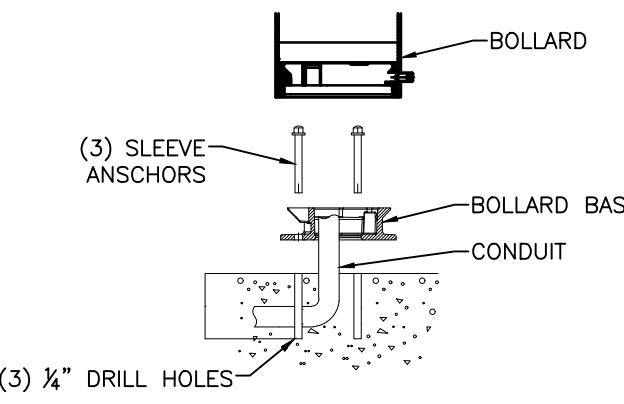


©Mulvey & Banani International Inc.

3 ELT-02  
LD600 SCALE: x



TEMPLATE (BOLLARD BASE)



MOUNTING DETAIL

1 MANUFACTURER MOUNTING DETAIL  
LD600 SCALE: NTS

MULVEY & BANANI  
LIGHTING

90 Sheppard Avenue East, Suite 500  
Toronto, Ontario, Canada M2N 3A1  
416.751.2520 | MBLIGHTINGDESIGN.COM

DRAWING STATUS

NOT FOR CONSTRUCTION

NO.	REVISION	DATE
1	ISSUED FOR SPA	7 June. 2021
NO.	ISSUED	DATE
		DD/MM/YY

CONTRACTOR MUST VERIFY ALL DIMENSIONS ON SITE. DO NOT SCALE DRAWING. ALL DRAWINGS, SPECIFICATIONS AND RELATED DOCUMENTS ARE THE PROPERTY OF THE CONSULTANT AND MUST BE RETURNED UPON REQUEST. REPRODUCTION OF DRAWINGS, SPECIFICATIONS AND RELATED DOCUMENTS IN PART OR IN WHOLE WITHOUT WRITTEN CONSENT FROM CONSULTANT IS NOT PERMITTED. THIS DRAWING IS NOT TO BE USED FOR CONSTRUCTION UNLESS STAMPED BY ENGINEER.

STAMP

PROJECT

Mulvey & Banani  
90 SHEPPARD AVE. EAST  
Toronto, Ontario

DRAWING TITLE

LUMINAIRE SCHEDULE AND  
DETAIL

DRAWN BY:  
G.W.

CHECKED BY:  
A.M./P.B.

SCALE:  
1:200

DATE:  
May 11 2021

PROJECT NO.  
212015

DRAWING NO.  
LD-600

ISSUED NO.  
-